

Natalia Back-to-Corner Freestanding Bath

with Integrated Overflow [left or right corner]



Product Code: **NA1500LWIO / NA1500RWIO**

The Natalia's space saving, back-to-corner freestanding design that can be integrated into corner walls to give an easy to clean, water tight seal around the bath rim. The Natalia also features a sleek integrated overflow.

- Australian Standard 1172.5:2019
- Integrated Overflow
- Adjustable self-supporting feet
- Lumbar support
- Internal steel support frame
- Left or right corner available



LEFT CORNER



RIGHT CORNER



PRODUCT SPECIFICATIONS

Colour:	High gloss white
Material:	Premium sanitary grade acrylic
Length:	1500mm
Width:	780mm
Height:	610mm
Capacity:	125L [200mm below the bath rim]
Bath Type:	Back-to-corner freestanding
Waste Position:	Centre
Net Weight:	39kg
Warranty:	10 years* (refer to decina.com.au)

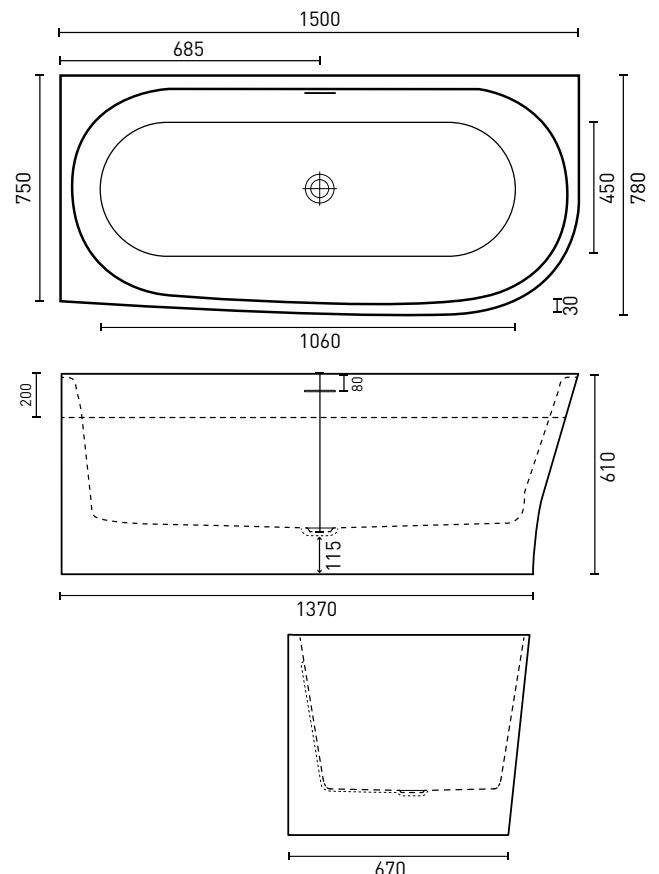
OPTIONAL ACCESSORIES

For straight through waste connections

- 40mm Removable Pop-Down Waste
W/O Chrome **OWA018**

For use when a waste connector is required

- Pop-down waste & flexi connector Chrome **OWA010**
- Screw pack for bath pop down **OWA015**
(necessary for baths with overflow wall thickness greater than 12mm)



DECINA
DISCOVER INDULGENCE

[f](#) [i](#) [p](#) [DECINA.COM.AU](https://www.decina.com.au) 1300 DECINA

*Warranty T&Cs apply, visit [decina.com.au](https://www.decina.com.au) Decina reserves the right to change specifications without notice. Due to manufacturing tolerances dimensions may vary +/- 5mm. We recommend installation does not start until after delivery. Please confirm all particulars prior to purchase, call 1300 DECINA or visit [decina.com.au](https://www.decina.com.au)