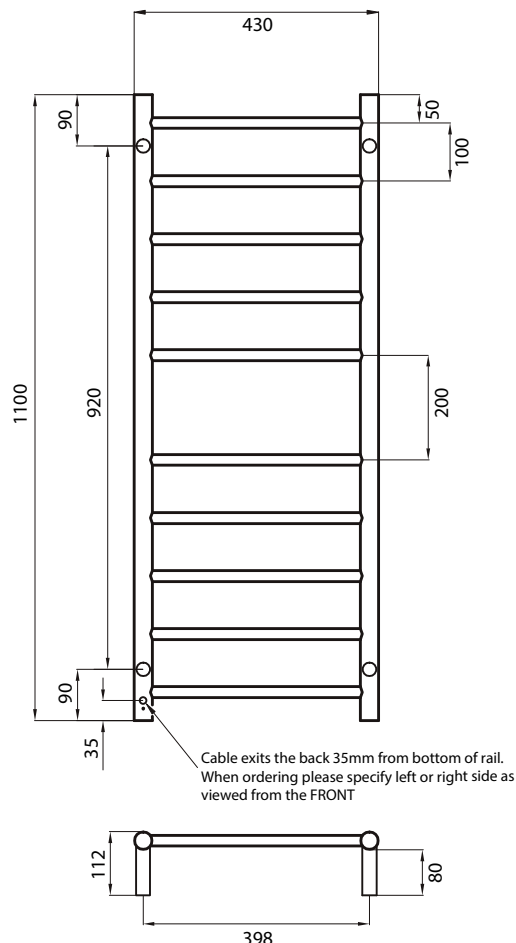


ROUND HEATED specifications

RTR430

MIRROR POLISHED AND SATIN BRUSHED
 MANUFACTURED FROM 304 GRADE
 STAINLESS STEEL
 COLOURED FINISHES MANUFACTURED
 FROM 201 GRADE STAINLESS STEEL
 IP55 RATED (COLOURED FINISHES ARE
 IP54 RATED)
 ALL TOWEL RAILS AVAILABLE WITH EITHER
 BOTTOM LEFT OR RIGHT OUTPUT
 HARD WIRED OR PLUG IN OPTIONS
 AVAILABLE ON ALL HEATED TOWEL RAILS
 CAN BE MOUNTED UPSIDE DOWN
 10 YEAR WARRANTY FOR CONSTRUCTION /
 HEATING ELEMENT
 COATING ON COLOURED RAILS ARE
 COVERED BY A 2 YEAR WARRANTY



FEATURES	CODE	SIZE (MM)	FINISH
<ul style="list-style-type: none"> • Round bar / Height 1100mm / 10 bars with a central gap / 80W • Standard model is 240V / IP55 rated • Vertical bars 32mm diameter • Horizontal bars 19mm diameter • 112mm from wall • Cable length: 1.4m 	RTR430LEFT	430x1100	Polished
	RTR430RIGHT	430x1100	Polished
	BRU-RTR430LEFT	430x1100	Satin Brushed
	BRU-RTR430RIGHT	430x1100	Satin Brushed
	BRTR430LEFT	430x1100	Matt Black
	BRTR430RIGHT	430x1100	Matt Black

- Low voltage models also available:
 12V-RTR430LEFT
 12V-RTR430RIGHT
- 3m cable, no plug, includes the transformer