

TONDO 02 INSET BATH

AVAILABLE IN 3 LENGTHS | ACRYLIC



Inset bath | 3 sizes

Streamlined design, clean lines, stippled slip-resistant area on the base.

- white sanitary grade acrylic
- resists chipping, natural slip resistance
- gloss finish
- excellent heat retention properties
- solid base support
- full resin reinforced
- full tile flange around bath
- suitable for built-in and island installation
- overflow version available

ORDER CODE TONDO 1525 LENGTH

- 191523 Tondo 1525 no overflow, no waste [old code: SBT-021525]
- 191525 Tondo 1525 with overflow kit including waste [old code: SBT-021525-OF]

TONDO 1675 LENGTH

- 191526 Tondo 1675 no overflow, no waste [old code: SBT-021675]
- 191528 Tondo 1675 with overflow kit including waste [old code: SBT-021675-OF]

TONDO 1800 LENGTH

- 191854 Tondo 1800 no overflow, no waste
- 191881 Tondo 1800 with overflow kit including waste

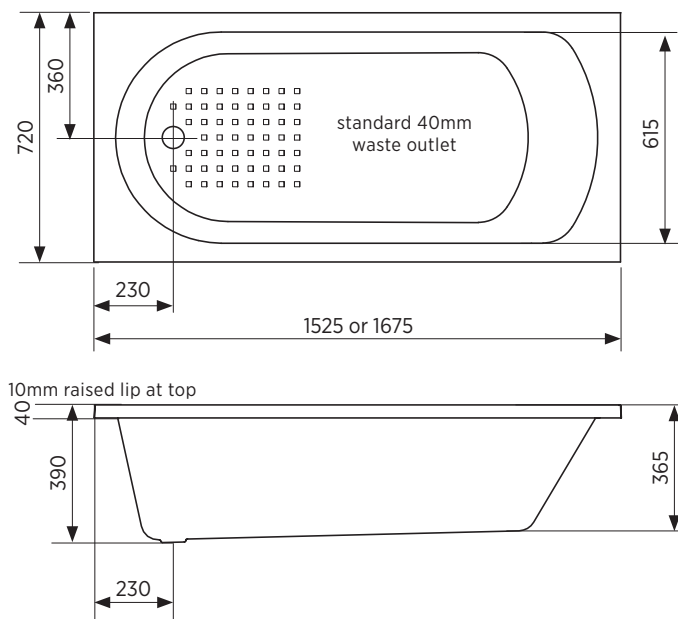
WASTE Suits standard 40 mm waste

CAPACITY 1525 length: 220 litres / 1675 length: 250 litres

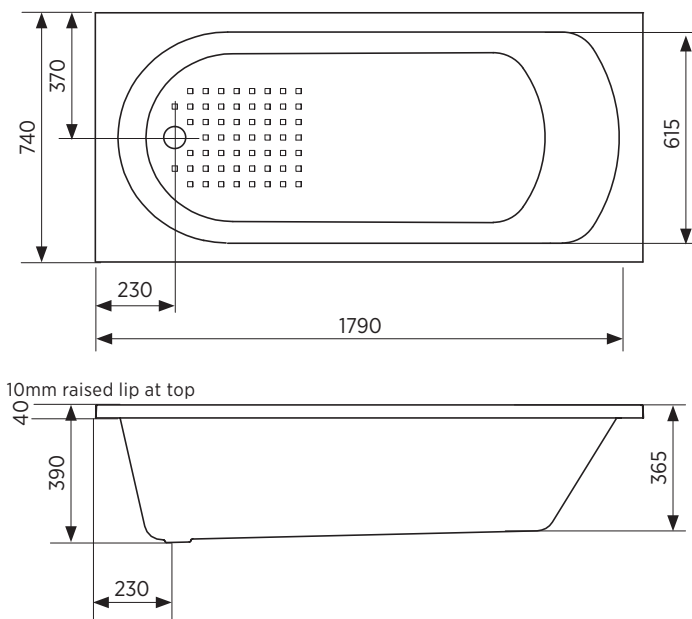
OVERFLOW Optional overflow

FIXING Use acetic cured silicone sealant. Do not use epoxy type adhesives. Always use the actual product to verify cutout.

1525 AND 1675 LENGTHS



1800 LENGTH



SEIMA

bathroom | kitchen | laundry

seima.com.au

Please note

- All measurements are in millimetres.
- Dimensions are nominal and subject to normal ceramic manufacturing variations of ± 5 mm.
- Fixing: Use silicone sealant. DO NOT USE EPOXY TYPE ADHESIVES.
- Specifications may vary without notice as part of our continuous improvement practices.
- Clean with a damp cloth. Do not use abrasive cleaners, liquids or pastes.

Tondo-02-ds | v4.0