
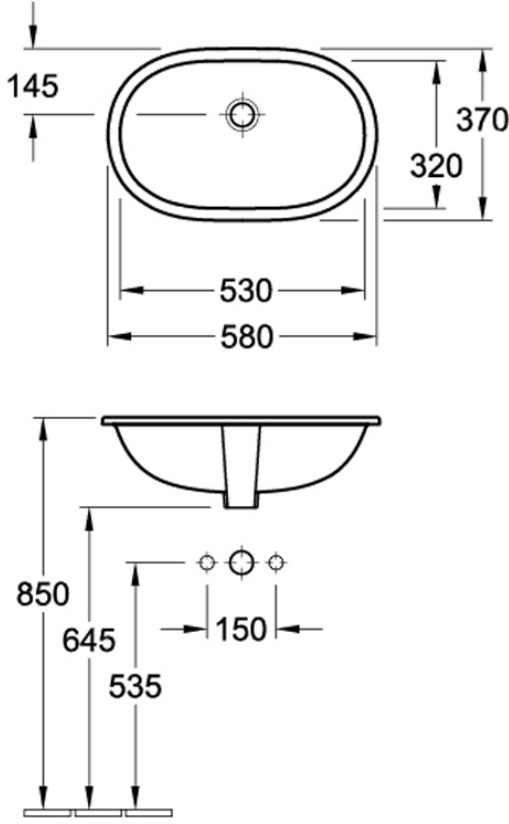




## O.NOVO 530 UNDER COUNTER BASIN

Product Image	Technical Specification
	

Description	Additional Information
<p>O.novo 530 Under Counter Basin</p> <p><b>41625001</b>      No Tap Hole</p>	<ul style="list-style-type: none"> <li>- Recommended Waste K316-D</li> <li>- Installation Notes:                             <ul style="list-style-type: none"> <li>• Use actual under counter basins for cutting out benchtops.</li> <li>• Only silicon based adhesives should be used, not epoxy resins.</li> </ul> </li> <li>- Overflow hole should be positioned closest to the front of the cabinet.</li> </ul>