

ACERO 006

STAINLESS STEEL SINK



Classic 35 litre laundry sink

Acero are timeless classics that are equally at home in a modern or traditional laundry. The classic styling has a contemporary feel, featuring a stainless steel designer basket waste and a silk finish.

- Contemporary classic lines and silk finish
- Includes bypass kit
- 0.8 mm thick premium 304 grade stainless steel
- Large capacity bowls
- Easy to clean
- Sound deadening
- Optional overflow
- Designer basket waste

SUMMARY Single bowl

ORDER CODE NO OVERFLOW

191586	Acero 006, 2 tapholes	old code: SKS-006
191587	Acero 006, no taphole	old code: SKS-006-OT
191589	Acero 006, 1 taphole on left	old code: SKS-006-ITL
191591	Acero 006, 1 taphole on right	old code: SKS-006-ITR
191593	Acero 006, 2 tapholes long edge	old code: SKS-006-LE

WITH OVERFLOW

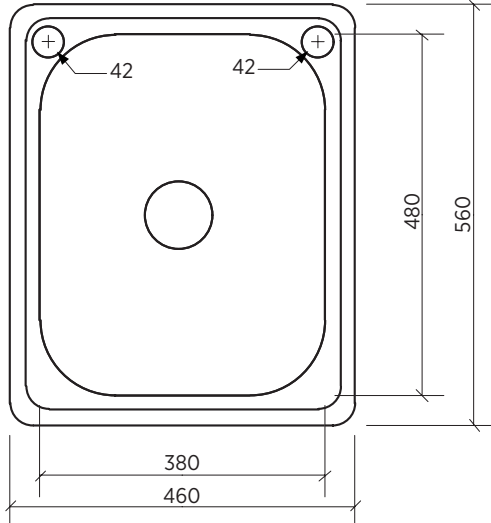
191610	Acero 006, 2 tapholes, with OF	old code: SKS-35LO
191588	Acero 006, no taphole, with OF	old code: SKS-006-OT-OF
191590	Acero 006, 1 taphole on left, with OF	old code: SKS-006-ITL-OF
191592	Acero 006, 1 taphole on right, with OF	old code: SKS-006-ITR-OF

WASTE Includes basket waste

BYPASS KIT Includes bypass kit

CAPACITY 35 litres

BOWL SIZE 380 x 480 mm, 220 mm deep



Optional overflow version

SEIMA

bathroom | kitchen | laundry

seima.com.au

Please note

- All measurements are in millimetres.
- Always use the actual product to verify cutout.
- Use silicone sealant. DO NOT USE EPOXY TYPE ADHESIVES.
- Specifications may vary without notice as part of our continuous improvement practices.

acero-006-ds | v 3.0