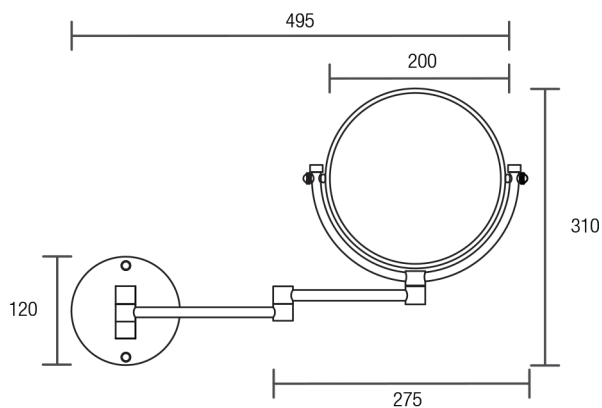


DIMENSIONS



INDICATIVE IMAGE



MIRROR DUAL SIDED

Product Code - Finish

- BA 780 C - Chrome

Product Code - Other Finishes

- No other finishes available

Features

- Wall mounted with double swivel arm
- Normal and 3x magnification
- Brass construction
- Chrome plated finish
- Stainless steel fixings supplied

Compliance

- Not required for sale

Warranty

See Con-Serv warranty policy for full details.

CON-SERV CORPORATION AUSTRALIA PTY. LTD.

17 Glentanna Street, Kedron · Qld. 4031 Australia

Phone: +61 (0)7 3630 5744 · Fax: +61 (0)7 3630 5755 · Email: mail@con-serv.com.au · www.con-serv.com.au