

Axis Extended Height Basin Mixer

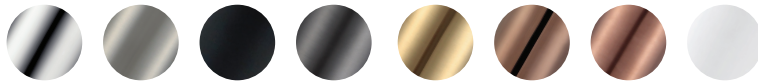
AX01311

WELS: 5 star

Litre/min: 5L

WELS License / Reg No: 1483 / T26056

Finishes available:



Chrome Brushed Nickel* (.SN) Matte Black (.MB) Brushed Gun Metal (.GM) Brushed Brass* (.BB) Rose Gold* (.RG) Brushed Rose Gold* (.RGI) White (.W)

^ PVD finish



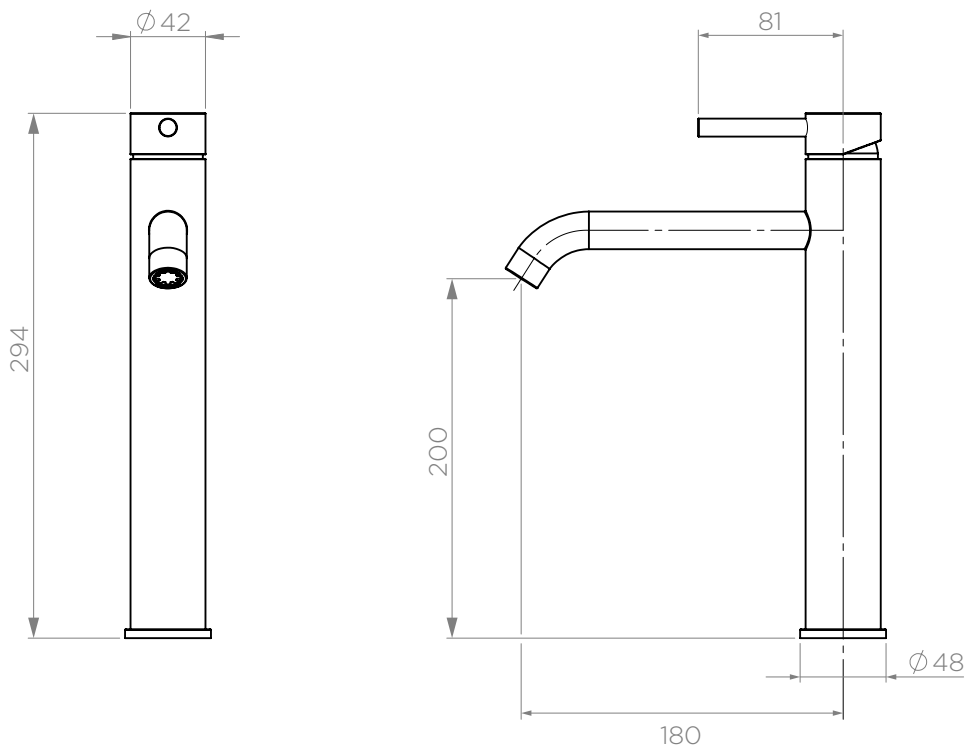
INFORMATION

Pressure Rating
150 - 500kPa

Hot and cold water inlet pressures should be equal.

CARE AND MAINTENANCE

- All surfaces should be frequent cleaned with a mixture of mild, pH neutral soap and warm water with a soft cloth
- Do not use abrasive clothes, scouring pads on surfaces
- Do not use harsh cleaning agents i.e. cream cleaners or citrus based cleaners (see cleaning leaflet for comprehensive list)



WARRANTY
15 years

*Conditions apply.