

## Axis Shower Column with Round Showerhead and Hand Shower - top diverter

AX02315

**Capacity:** 9L/min

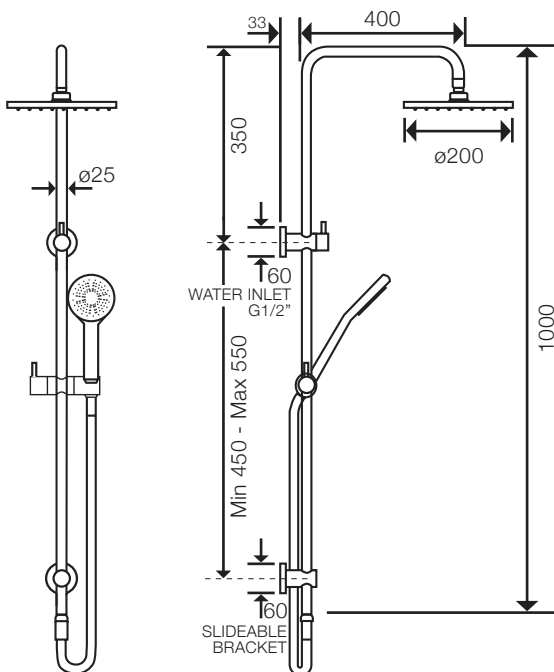
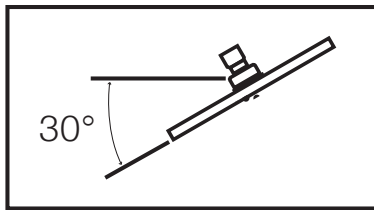
**WELS:** 3 stars

**WELS License / Reg No:** 1483 / S12882

**Handshower:** three setting

**Finishes available:** Chrome, Matte Black, Brushed Nickel PVD\*, Rose Gold PVD\*, Brushed Rose Gold PVD\*, Brushed Brass PVD\*, Brushed Gun Metal\*.

Colours indicated with \* have metal hose.



**WARRANTY**  
15 years

\*Conditions apply.

streamline

www.streamlineproducts.com.au | Ph: 1300 735 352

Dimensions are in millimeters and are subject to manufacturing variations. Streamline reserves the right to vary specifications at any time without notice. Information provided within this specification sheet is correct at the date of printing. Please confirm all particulars with your sales consultant prior to purchase.  
Version: 2.3 - April 2020