

**Axis Pin Wall Mount Basin/Bath mixer - lever up - 150mm spout**

AX28230 - EXTERNAL PART ONLY

**WELS:** 6 stars

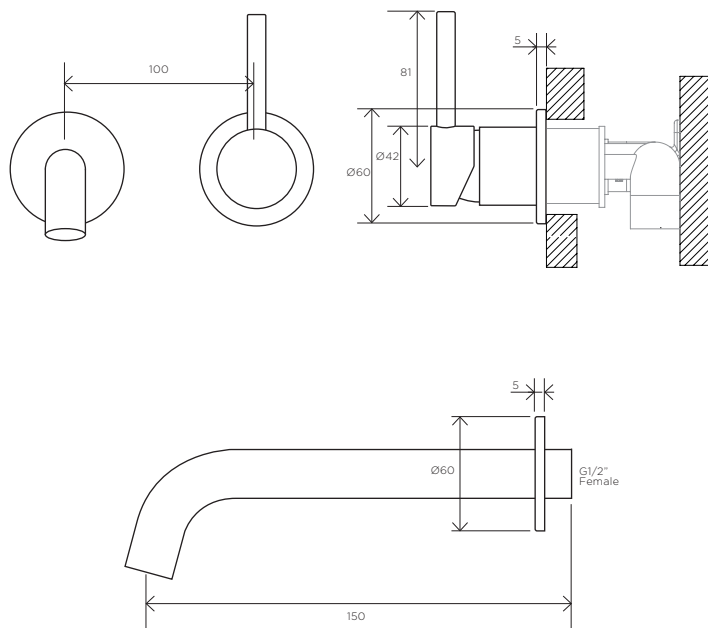
**Litres/minute:** 4.5L

**WELS License / Reg No:** 1483 / T33789

**Finishes available:** Chrome, Matte Black, Brushed Nickel PVD, Brushed Brass PVD, Brushed Gun Metal



Requires ARB0120U - Arcisan Universal in-wall body for installation.



Axis Pin Lever Wall Mount Basin/Bath Mixer 2 plates is a classic, cylinder type mixer tap. With specific attention paid to quality, all pieces are polished to a mirror-like chrome finish. Adaptable to many different applications, the Axis collection is a reliable and secure choice.

This particular series of mixer has some finishes in a PVD coating. PVD (short for Physical Vapor Deposition) is a way of coating products so that the finish has superior wear and corrosion resistance with a higher hardness than electroplating.



\*Conditions apply.