

# KYRA 210

## CERAMIC BASIN

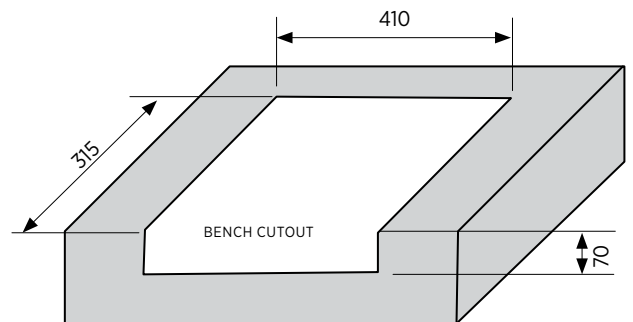
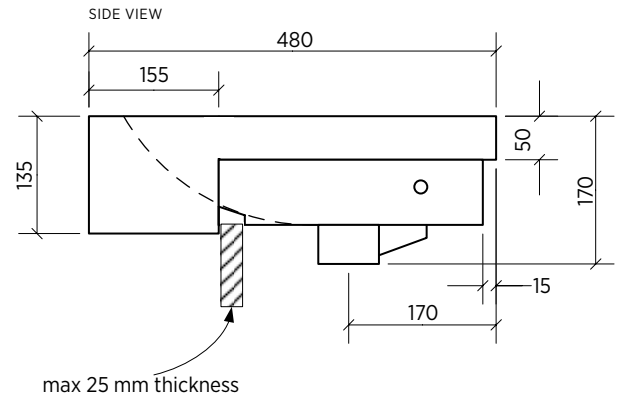
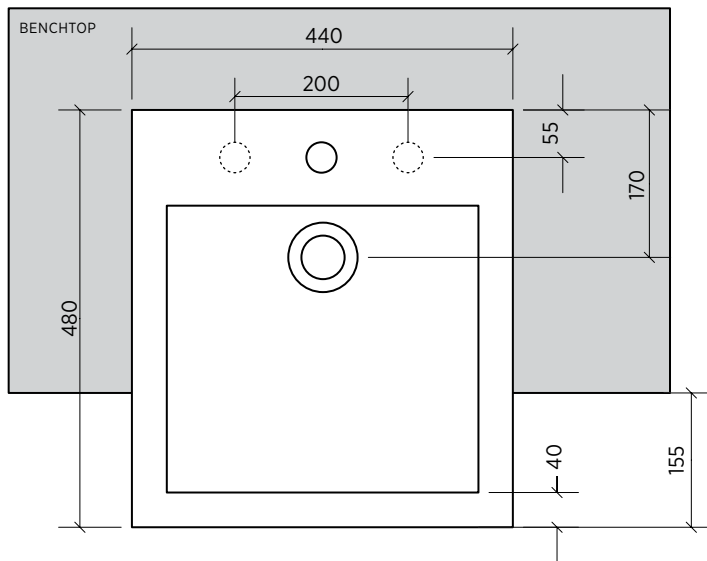




### Semi-recessed basin, square

This minimalist semi-recessed basin has architectural design features. Ideal for narrow benchtops, it has generous capacity.

ORDER CODE	191480	Kyra 210, 1 taphole	Old code: SBC-210
	191481	Kyra 210, no taphole	Old code: SBC-210-0T
	191482	Kyra 210, 3 tapholes	Old code: SBC-210-3T

TAPHOLE	0, 1 or 3 tapholes (35 mm diameter).
WASTE	Suits standard 32 mm waste (not supplied).
CAPACITY	8 litres.
OVERFLOW	Has overflow.
MATERIAL	White vitreous china.
FIXING	Use silicone sealant. Do not use epoxy type adhesives. Always use the actual basin to verify cutout.



 Nanoglaze surface - ultra-smooth, anti-bacterial, easy to clean.  Basin has integrated overflow

# SEIMA

bathroom | kitchen | laundry

seima.com.au

### Please note

- All measurements are in millimetres.
- Dimensions are nominal and subject to normal ceramic manufacturing variations of  $\pm 5$ mm.
- Fixing: Use silicone sealant. DO NOT USE EPOXY TYPE ADHESIVES.
- Always use the actual basin to verify cutout.
- Specifications may vary without notice as part of our continuous improvement practices.
- Clean with a damp cloth. Do not use abrasive cleaners, liquids or pastes.

kyra-210-ds | v 2.0