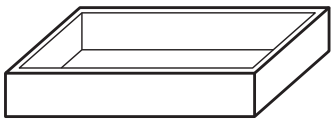


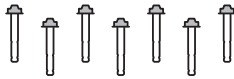
Sink Installation

(Herbert, Shelf 01, Shelf 02, Shelf 03)

YOUR WALL MOUNT SINK KIT WILL CONTAIN:



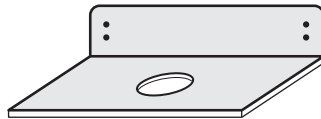
CONCRETE SINK X 1



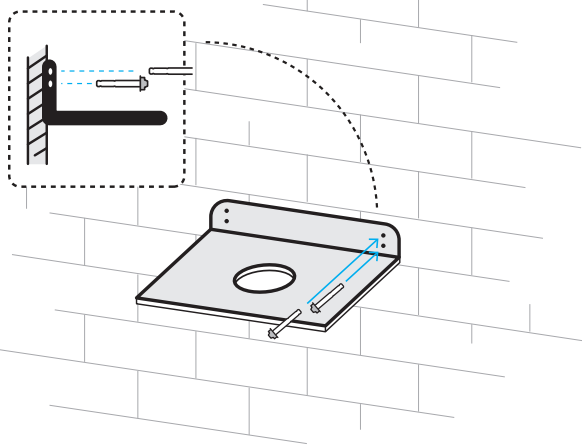
BOLTS



GLUE

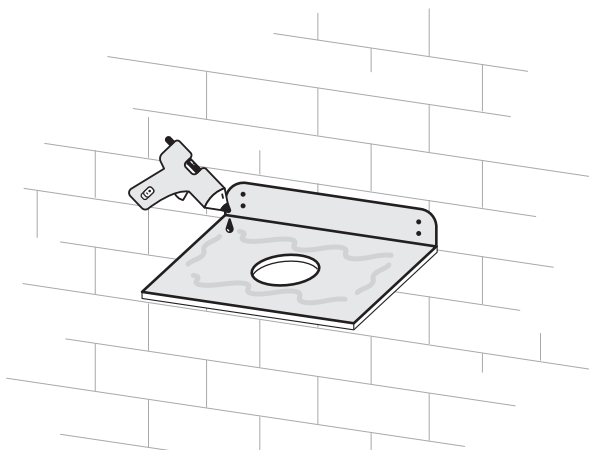


WALL MOUNT PLATE
(DESIGN VARIES PER SINK)



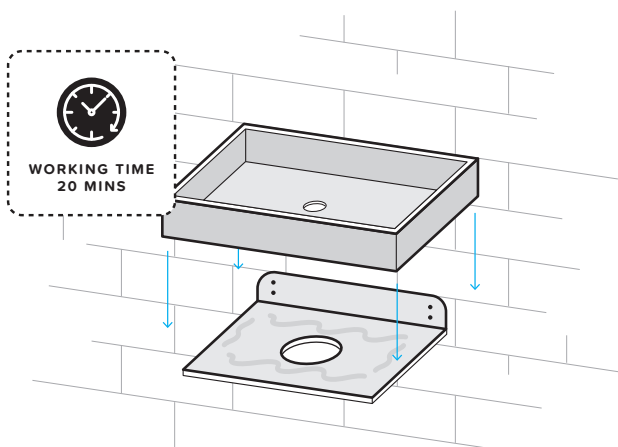
01

Bolt bracket to tiled wall, ensuring bracket is placed at level height. Be sure to tape over tiles before drilling.



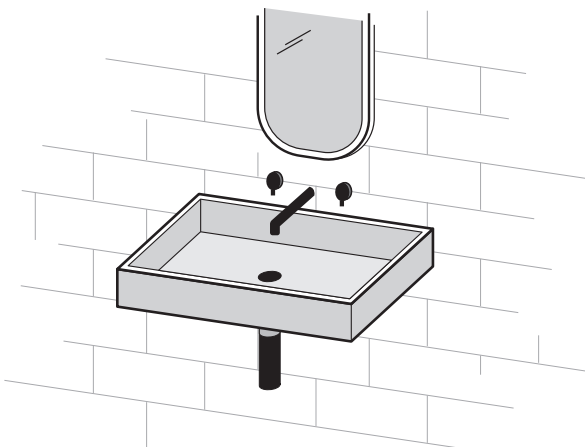
02

Apply adhesive provided to the bracket



03

Lower basin onto glued brackets, ensure placed centrally. Working time: 20 mins



04

Carefully fit plumbing fixtures while glue dries. Glue needs 20 mins to touch dry