
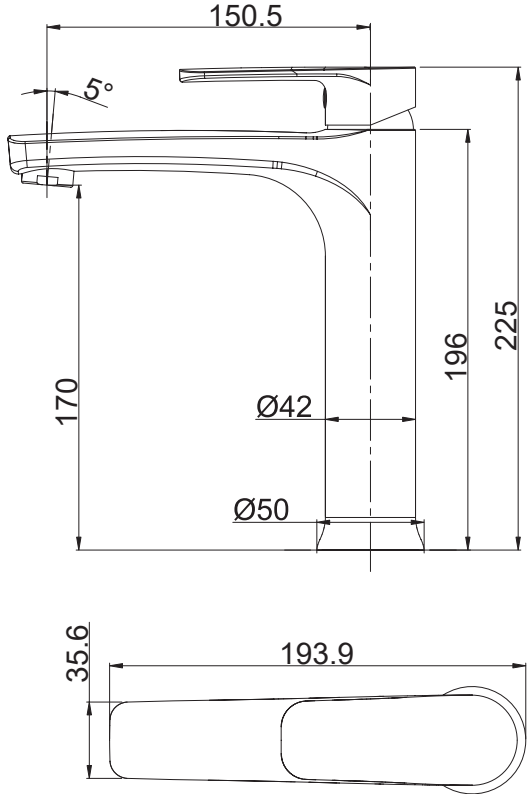




## PACE TALL BASIN MIXER

Product Image	Technical Specification
	

Description
<p>Pace Tall Basin Mixer WELS 5 Star / 6 Lpm</p> <p><b>BM222604</b> Tall Basin Mixer - Chrome  <b>BM222604MB</b> Tall Basin Mixer - Matte Black  <b>BM222604BN</b> Tall Basin Mixer - Brushed Nickel</p>

Additional Information
<ul style="list-style-type: none"> <li>• 15 Year Replacement Warranty*</li> <li>• 35mm European Ceramic Cartridge</li> <li>• Quality PEX Connection Hoses</li> <li>• Superior Flow Regulator</li> </ul> <div style="display: flex; justify-content: space-around; align-items: center;">   </div>

